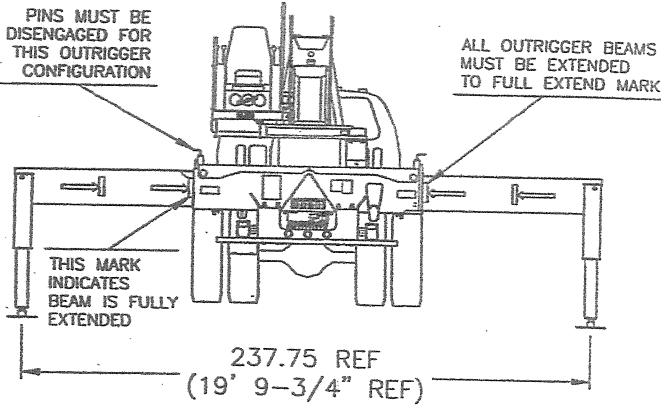


**USE THIS CHART ONLY  
WHEN ALL  
OUTRIGGERS ARE  
FULLY EXTENDED**



**- FULLY EXTENDED OUTRIGGER CONFIGURATION -**

MAIN BOOM LOAD RATINGS IN LBS										JIB LOAD RATINGS IN LBS			
LMI CODE #1										LMI CODE #2			
OPERATING RADIUS FT	LOADED BOOM ANGLE		BOOM LENGTH AND MARKER							OPERATING RADIUS FT	BOOM ANGLE	29.4 FT JIB FOR ALL BOOM LENGTHS SEE WARNING NOTE 4	
	29.4 FT	53 FT	69 FT	85 FT	101.4 FT	RATED LOAD IN POUNDS							
5	80	44000											
8	74	33540									8		
10	70	28140									10		
12	66	24230	78	14000							12		
14	61	20460	76	14000	80	14000					14		
17	54	16400	72	14000	78	12880					17		
20	46	13520	69	13700	75	11430	79	8920			20		
25	29	10210	63	10600	71	9460	75	8000	79	6000	25		
30			56	8390	66	8210	72	7070	76	5500	30	80	3000
35			49	6790	61	6890	68	6130	73	4980	35	78	2840
40			41	5590	56	5700	65	5320	70	4490	40	76	2620
45			31	4640	51	4760	61	4640	67	4000	45	73	2420
50			17	3880	45	4000	57	4070	64	3580	50	71	2230
55					38	3380	52	3450	61	3200	55	69	2020
60					30	2860	47	2930	57	2850	60	67	1840
65					19	2410	42	2490	54	2520	65	64	1670
70							36	2090	50	2130	70	62	1520
75							29	1740	45	1790	75	59	1380
80							20	1440	41	1500	80	56	1230
85									36	1240	85	53	1080
90									30	1020	90	50	950
95									22	820	95	47	830
100											100	44	720
105											105	40	570
110											110	36	430
		340 LBS.	190 LBS.	150 LBS.	120 LBS.	100 LBS.	DEDUCTIONS FOR STOWED JIB						

7300057-002 NR